

QPD2-800-2500-K2-7

2-Way, 0.8~2.5GHz

Features:

- * Small Size
- * Low Insertion Loss

Applications:

- * Amplifiers
- * Mixers
- * Antennas
- * Laboratory Test

Electrical

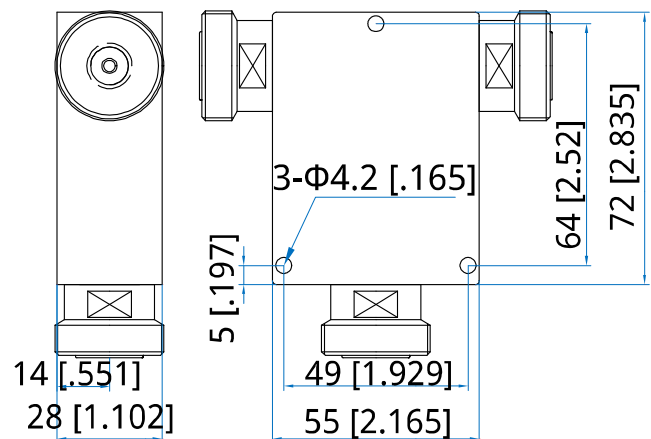
Frequency:	0.8~2.5GHz
Insertion Loss:	0.3dB max.
Input VSWR:	1.25 max.
Output VSWR:	1.2 max.
Isolation:	20dB min.
Amplitude Balance:	0.2dB max.
Phase Balance:	3° max.
Impedance:	50Ω
Average Power:	200W max.

Mechanical

Size:	55*72*28mm 2.165*2.835*1.102in
Mounting:	3-Φ4.2mm through-hole

Environmental

Operation Temperature:	-30~+70°C
------------------------	-----------

Outline Drawings


Unit: mm [in]

Tolerance: ±0.5mm [±0.02in]

How To Order

[QPD2-800-2500-K2-7](#)

Customization is available upon request.